

# Cam-Lok® Standard Series



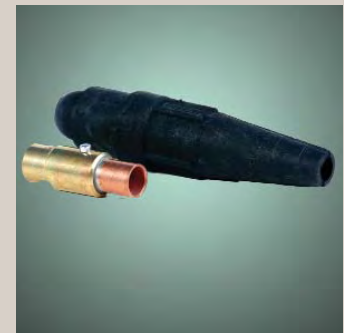
All Cam-Lok part numbers available in convenient, single-use, color-coded packaging.

NON-VULCANIZED		MALE PLUG		
COLOR	CABLE SIZE	COMPLETE PART NO.	CONTACT ONLY PART NO.	INSULATOR ONLY PART NO.
BLACK	CRIMP #3/0-4/0	E1018-8030	A200038-6B	A200071-13
RED		E1018-8032		A200071-15
GREEN		E1018-8034		A200071-17
WHITE		E1018-8035		A200071-18
BLUE		E1018-8036		A200071-38
BROWN		E1018-7709		A200071-40
ORANGE		E1018-8033		A200071-16
YELLOW		E1018-8031		A200071-14



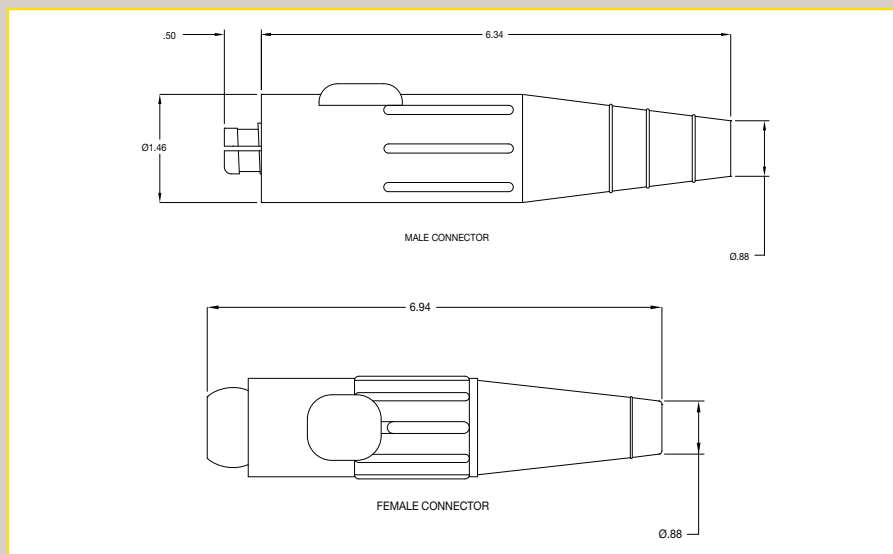
E1018-8030

NON-VULCANIZED		FEMALE PLUG		
COLOR	CABLE SIZE	COMPLETE PART NO.	CONTACT ONLY PART NO.	INSULATOR ONLY PART NO.
BLACK	CRIMP #3/0-4/0	E1018-8080	A200035-16	A200072-13
RED		E1018-8082		A200072-15
GREEN		E1018-8084		A200072-17
WHITE		E1018-8085		A200072-18
BLUE		E1018-7724		A200072-38
BROWN		E1018-7725		A200072-40
ORANGE		E1018-8083		A200072-16
YELLOW		E1018-8081		A200072-14



E1018-8080

E1018 Series



**CAM-LOK STANDARD SERIES "BALL NOSE" DESIGN RECEPTACLES AND PLUGS HAVE BEEN USED FOR YEARS IN SHIPYARDS, CONSTRUCTION SITES AND POWER PLANTS. THEY HAVE BECOME THE STANDARD BY THE BROADCAST INDUSTRY IN CANADA, AS WELL AS THE WELDING INDUSTRY IN THE UNITED STATES.**

**RATINGS: 600 VOLTS UP TO 400 AMPERES CONTINUOUS**

**STANDARD MATERIALS**  
**CABLE SIZE: 3/0 - 4/0**  
**CONNECTOR BODY: TPE**  
**CONTACT: BRASS**

**AGENCY APPROVALS**  
**CSA CERTIFIED LR13963**

**ENVIRONMENTAL RATING: NEMA 3R**